

Hazard Warnings

Hazard warnings in this manual indicate potential harm to the user or the product. For the person interacting with the product, the level of risk includes consequences ranging from slight, up to lethal injuries. As for the product, disobeying the warnings may cause damage to the equipment and/or void the warranty. Therefore, said warnings are made apparent to instruct and warn the user, which precautions have to be made prior to performing any actions described in this manual. The user must read and be familiar with the manual, before performing any tasks as described in this manual.

Hazard warnings in this manual are presented in these three forms:

WARNING: These warning notices refer to personal safety. Failure to obey these notices could result in personal injury or death.



WARNING

CAUTION: General precautions must be made. Failure to obey these notices could result in personal injury and/or equipment damage.



CAUTION

NOTE: Directs the user's attention to essential information.

Data sheet for the heater in AB-Actuators

1 Safety instructions

CAUTION: The heater resistor in the standard variant can be electrified and must therefore not be touched during operation. There is a risk of electric shock if touched.



CAUTION: The heater resistor in the standard and ex-protected variant gets very hot during operation and must not be touched. There is a risk of burns if touched.



2 Technical specifications

2.1 Standard heater

Nominal voltage ($\pm 10\%$)	Resistor	Nominal Power
24V	150Ohm	3,8W
230V	10kOhm	5,3W
110V	2,5kOhm	4,8W

2.2 Ex-protected heater

Nominal voltage ($\pm 10\%$)	Resistor	Nominal Power
24V	100Ohm	6W
230V	9,1kOhm	6W
110V	2kOhm	6W

3 Mounting positions

Image 1 and 2 show the heater resistors in standard and ex-protected variants with mounting material.

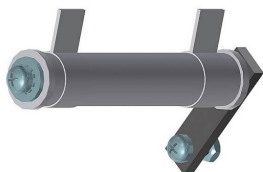


Figure 1: Heater resistor, standard

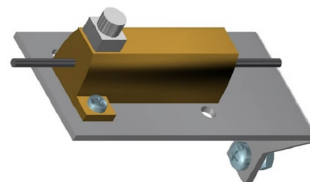


Figure 2: Heater resistor, ex-protected

Image 3 and 4 show possible mounting varieties of the heater. The heater does not have to be mounted as shown. Depending on the actuator design, the position of the heater may vary inside the positioning unit.

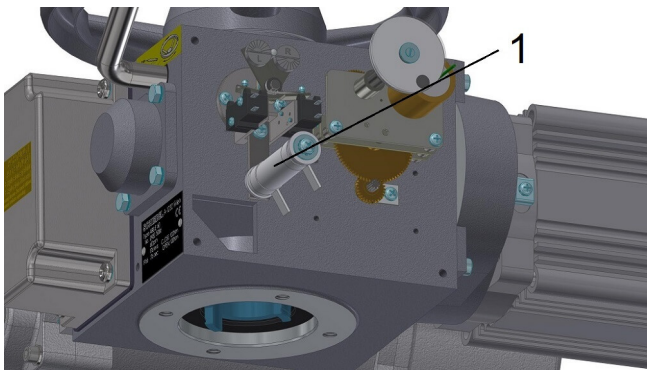


Figure 3: 1... Standard heater

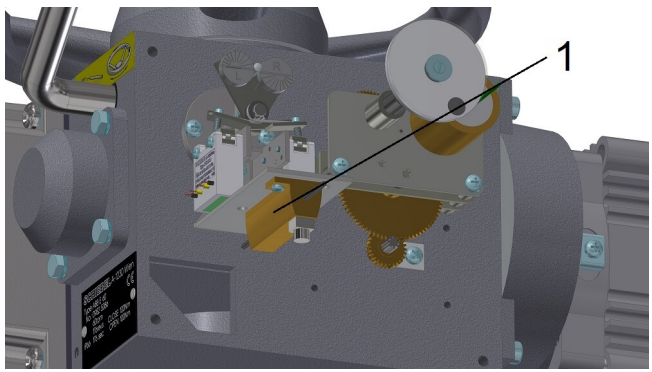


Figure 4: 1... Ex-protected-heater